

TECHNICAL DATA SHEET

OUTSTANDING FEATURES

- ◆ DC or AC powered transmitter.
- ◆ Pulse and analog output.
- ◆ Optional Hi and Lo alarms.
- ◆ Factory configured when purchased with a Hoffer flowmeter.
- ◆ Several Enclosure options.
- ◆ CE Compliant.

PRODUCT DESCRIPTION

The CAT2 is a versatile DC or AC powered transmitter that can be interfaced with any Hoffer flow sensor. It provides a pulse output and an analog signal proportional to the flow rate. The CAT2 can be configured with High and Low alarms.

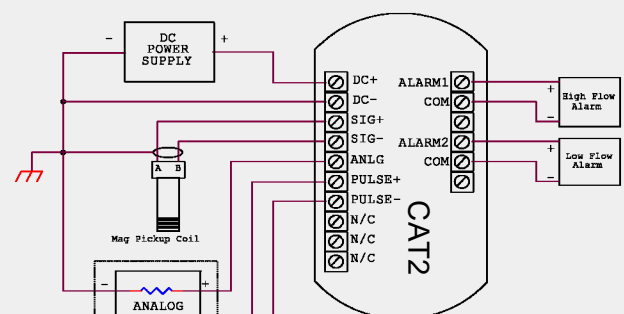
SPECIFICATIONS

Input Signal Type:	Magnetic pickup, MCP pickup, Contact Closure, Pulse.
Input Frequency Range:	0.2 Hz to 4 KHz.
Signal Level:	10 mV rms to 30 Vdc.
Power Supply:	13-30 Vdc, 100-240 Vac. Reverse polarity protection.
Analog Output:	4-20mA, 1-5V, 0-5V, 0-10V.
Load Resistance:	Max 550 Ohms at 24 Vdc.
Accuracy:	±0.1% of full scale.
Temperature Drift:	200 ppm/deg. C.
Zero and Span Adjustments	
Pulse Output:	0-5, 0-10V, Open Collector, AC Square. Internal pull up 2.7 k Ohms. Recommended minimum load resistance 50 k Ohms.
Pulse Scaling:	Divide by 2,4,8,16,32.



Hi/Lo Alarm:	Relay (2A, 30Vdc), 0-5V, Open Collector (0.5A, 30V).
Operating Temperature:	T5 & STD: $-40^{\circ} \leq T_a \leq +85^{\circ} \text{C}$. T6: $-40^{\circ} \leq T_a \leq +79^{\circ} \text{C}$.
Humidity:	0-90% Non-Condensing.
Enclosure:	Extruded Aluminum. DIN Rail Mount. Explosion-Proof. CE Compliant.
Regulatory:	CE Compliant.

INSTALLATION WIRING



ENCLOSURE OPTIONS

ORDERING INFORMATION

Model CAT2 - () - () - () - () - () - () - () - ()

PULSE INPUT

- | | |
|---|--|
| 1 | MAG COIL, DRY CONTACT |
| 2 | MC3P |
| 3 | ISOLATED PULSE, RPM, RPR AND HALL EFFECT COILS |

PULSE OUTPUT

- | | |
|---|-----------------------------------|
| 1 | 0-5 TTL/CMOS |
| 2 | OPEN COLLECTOR |
| 3 | OPEN COLLECTOR WITH PULL UP TO V+ |
| 4 | AC SQUARE WAVE |
| 5 | 0-10V SQUARE WAVE |

ANALOG OUTPUT

- | | |
|---|----------|
| 1 | 4-20MA |
| 3 | 0-5 VDC |
| 4 | 0-10 VDC |
| 5 | 1-5 VDC |

POWER SUPPLY

- | | |
|----|--|
| DC | 13-30 VDC |
| AC | 100-240 VAC (ALARM OPTION NOT AVAILABLE WHEN SELECTED) |

ALARM OUTPUT

- | | |
|---|---|
| 1 | HIGH/LOW OPEN COLLECTOR |
| 2 | HIGH/LOW TTL/CMOS |
| 3 | HIGH/LOW RELAY TWO SPDT, CONTACT RATED @ 2A 30V |
| 4 | HIGH OPEN COLLECTOR |
| 5 | HIGH TTL/CMOS |
| 6 | HIGH RELAY ONE SPDT, CONTACT RATED @ 2A 30V |
| 7 | LOW OPEN COLLECTOR |
| 8 | LOW TTL/CMOS |
| 9 | LOW RELAY ONE SPDT, CONTACT RATED @ 2A 30V |
- NOTE: WHEN ALARM OPTION IS SELECTED, AC POWER IS NOT AVAILABLE. USE REMOTE POWER SUPPLY.

ENCLOSURE STYLE

- | | |
|---------|---|
| 1 | GENERAL PURPOSE |
| D | 2" LONG DIN RAIL MOUNT SINGLE UNIT. UP TO 20 CAT2 UNITS CAN BE MOUNTED ON A SINGLE RAIL |
| E3 (*)† | EXPLOSION-PROOF |
| E4 | EXPLOSION-PROOF FOR USE WITH AC POWERED CAT ONLY (NOT Exd SYSTEM CERTIFIED) |
| E6 (*)† | STAINLESS-STEEL EXPLOSION-PROOF ENCLOSURE |
- * INSERT "M" FOR M20 THREAD. M20 THREAD NOT AVAILABLE IN CANADA FOR STYLE E6 ENCLOSURES.
 † FOR CERTIFIED SYSTEM SPECIFY "CFX" OPTION WHEN MOUNTED ON FLOWMETER OR "C" OPTION FOR REMOTE MOUNT.

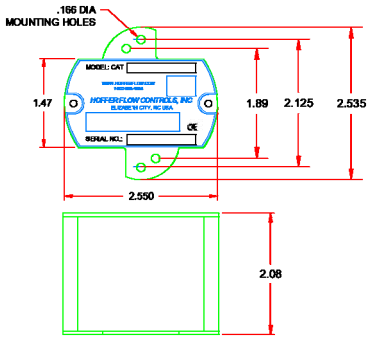
SPECIAL FEATURES

- | | |
|-----|---|
| CE | MARK REQUIRED FOR EUROPE |
| SP | ANY SPECIAL FEATURES THAT ARE NOT COVERED IN THE MODEL NUMBER, USE A WRITTEN DESCRIPTION OF THE -SP |
| CFX | 6.75" LONG RISER AND UNION FOR EXPLOSION-PROOF SYSTEM CERTIFIED ENCLOSURES MOUNTED ON TURBINE. USED WITH "X" RISER TURBINE OPTION. NOTE: IF PROCESS TEMP IS < -40°C OR > 79°C, EX-PROOF ENCLOSURE MUST BE MOUNTED REMOTELY. |
| C | REMOTE MOUNTED FOR EXPLOSION-PROOF SYSTEM CERTIFIED ENCLOSURE. NOTE: "X" RISER, CERTIFIED UNION, REDUCER AND ENCLOSURE (TO BE SPECIFIED) AND MOUNTED ON FLOWMETER. |
| X | NO SPECIAL FEATURES |

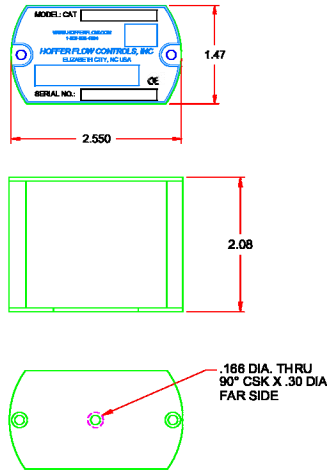
NOTES:

- IF ENCLOSURE IS MOUNTED ON TURBINE FLOWMETER, RISER MUST BE SPECIFIED ON METER.
- PULSE SCALING IS SUPPLIED AS A STANDARD IN THE BASE PRICE. THE PULSE OUTPUT IS SCALED SO THAT THE MAX FLOW IS BETWEEN 75-150 HZ WHEN THE ANALOG OPTION IS SELECTED.
- FOR UL LISTED EXPLOSION-PROOF ENCLOSURES CONTACT FACTORY.

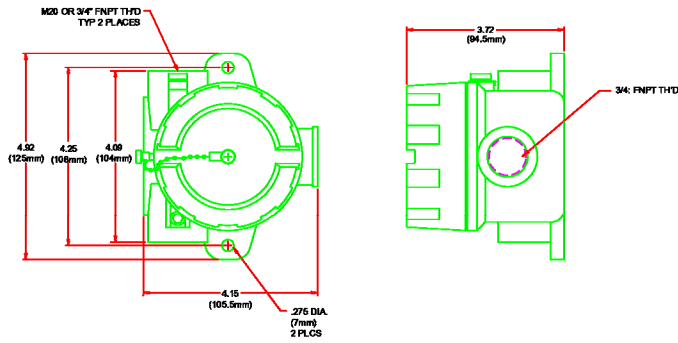
General Purpose Enclosure



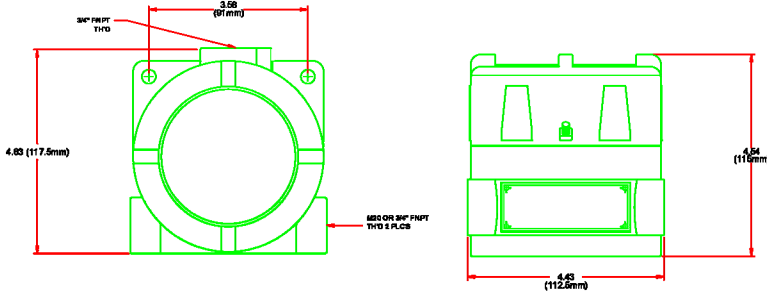
Din Rail Enclosure



E3 Enclosure



E6 Enclosure



Style E3 & E6 Certified Ratings

CSA/FM:

Divisions: Class I, Division 1, Groups BCD; Class II, Division 1, Groups EFG; Class III; Type 4X;
 Zones CAN: Ex d IIB+H₂ T6/T5; Gb; Ex tb T80°C/T86°C IIIC Db; IP66;
 Zones USA: Class I, Zone 1, AEx db IIB+H₂ T6/T5; Gb; Class I, Zone 21, AEx tb T80°C/T86°C IIIC Db; IP66

ATEX/IECEx:

II 2 G Ex db IIB+H₂ T6/T5 Gb
 II 2 D Ex tb IIIC T80°C/T86°C Db; IP66
 T6: -40°C ≤ Ta ≤ +79°C; T5: -40°C ≤ Ta ≤ +85°C

HOFFER FLOW CONTROLS, INC.

107 Kitty Hawk Lane, P. O. Box 2145, Elizabeth City, NC 27906-2145
 800-628-4584 252-331-1997 FAX 252-331-2886
 www.hofferflow.com email: info@hofferflow.com

The specifications contained herein are subject to change without notice and any user of said specifications should verify from the manufacturer that the specifications are currently in effect. Otherwise, the manufacturer assumes no responsibility for the use of specifications which may have been changed and are no longer in effect.

